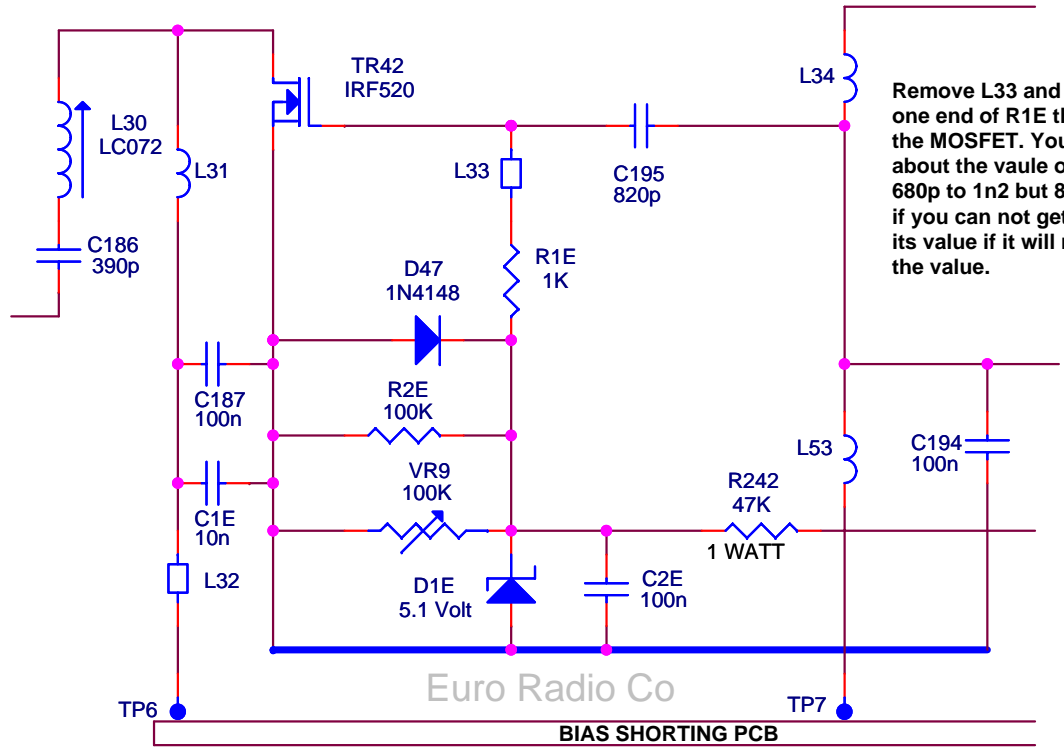


**BEFORE**



Remove L33 and slide the F/Bead on to one end of R1E this end must closed to the MOSFET. You may need to play about the vaule of C197 from about 680p to 1n2 but 820p is about right, if you can not get full power change its value if it will not de-key lower the value.

**AFTER**

Draw By: Rick Jackson (Euro Radio Co).

Size	Document Number Stalker 9DX and 9FDX MOSFET Mod.SCH	Rev 1.0
Date:	Saturday, July 21, 2007	Sheet 1 of 1